

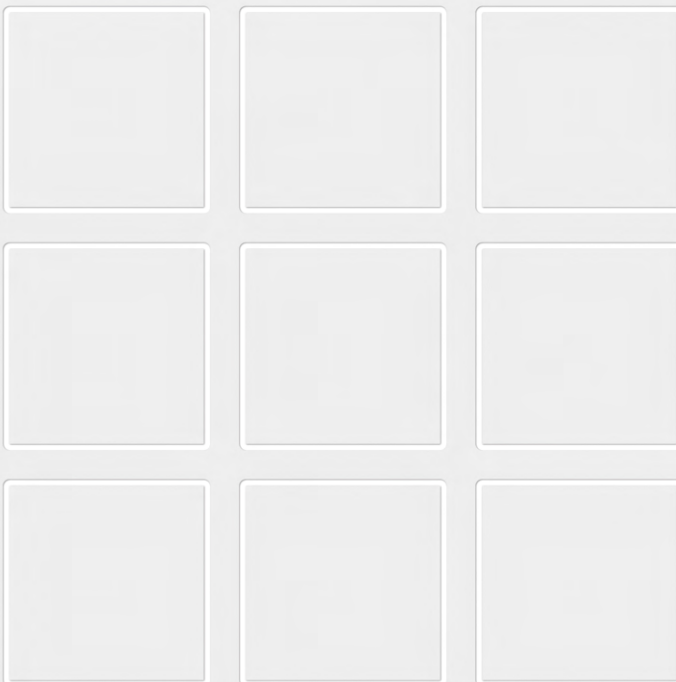
4

Electrics for Rolling Stock

TCMB series

Manual multipole
disconnectors for
AC and DC applications

Flyer TCMB.en



More information
schaltbau.com

TCMB Manual multipole disconnectors for AC and DC applications

Multi-pole disconnectors TCMB from Schaltbau are electromechanical switching devices for manually disconnecting circuits from the power supply and at the same time ensuring an electrical isolating distance. The devices of the TCMB series are typically required for the maintenance of electrical devices and lines with a high safety level. They disconnect large powers under load when required: up to 500 amps and up to 750 volts.

Higher continuous currents can also be switched by connecting the main contacts in parallel. The number of poles, the connections of the main contacts and the mounting points can be individually specified according to customer requirements. Customised variants with more than 4 main contacts are also possible.



Features:

- Manual switch-disconnector, dimensioned for disconnection under load
- 1, 2 or 3 switching positions
- Main contacts with robust cam-operated switching elements
- Auxiliary contacts with reliable snap-action switches
- Door interlock function
- Maintenance position lockable
- Individual labelling



Applications:

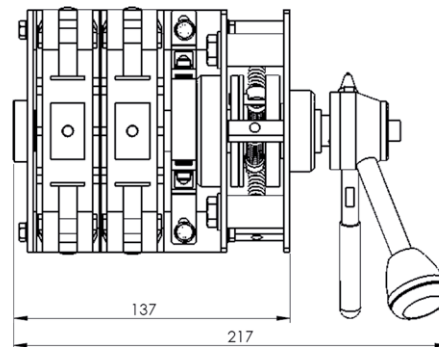
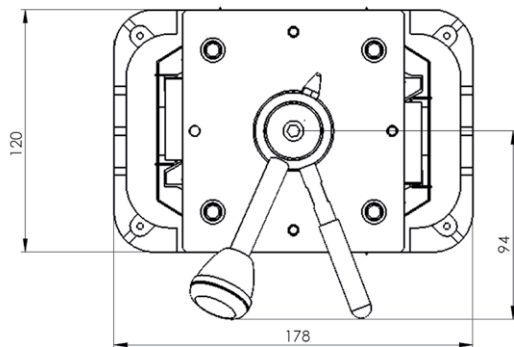
- Battery cabinets in railway vehicles
- Disconnecting circuits in AC and DC applications



Standards:

- EN 50124-1, EN 60077-1, EN 60077-2, EN 45545

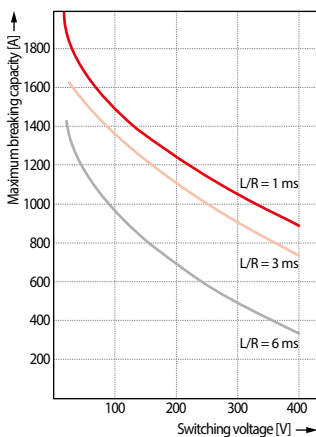
Dimension diagram



Dimensions in mm

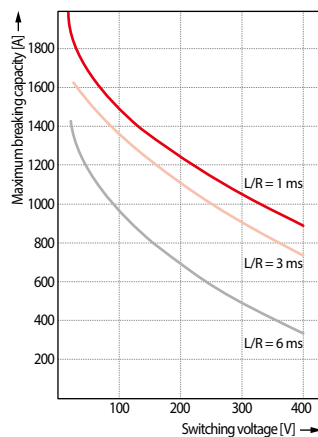
Breaking capacity

• DC applications:



Maximum breaking capacity of cam-operated switching elements S306 and S307 with permanent magnetic blowout and arc chamber. With switching voltages from 400 V upwards the cam-operated switching element S307 must be used with arc chute LK-S307-DC.

• AC applications:



Maximum breaking capacity of cam-operated switching elements S306 and S307 without blowout, with arc chamber.

Specifications

Series	TCMB	
Type of voltage	AC, DC	
Main contact system	AC, DC	
Configuration	1 ... 4 NO *1	
Cam-switching elements	S306 or S307	
Main contacts		
Nominal voltage	U_n	750 V
Rated insulation voltage	U_i	1,000 V
Pollution degree	PD3	
Overvoltage degree	OV3	
Conventional thermal current	I_{th}	500 A *2
Breaking capacity	see diagram	
Rated short-time withstand current	I_{cw}	2,500 A
Contact material	AgSnO ₂	
Auxiliary contacts		
Configuration	4x max.	
Snap-action switches	S800 or S826	
Mechanical endurance	2 million operating cycles	
Operating temperature	T_a	-25 °C ... +70 °C
Weight	approx. 5 kg	

*1 Special variants with more than 4 main contacts available on request

*2 Higher I_{th} can be realised by parallel connection of main contact



Find your worldwide contact person. We are here for you, personally!

Schaltbau GmbH
contact@schaltbau.de
www.schaltbau.com

We reserve the right to make technical alterations without prior notice. For updated product information visit www.schaltbau.com

Flyer, nur PDF F2203/2307/0