



S910 WP

Robust snap-action switch
for point machines

S910 WP - Robust snap-action switch for point machines

Schaltbau's latest snap switch was specifically designed for use in point systems and similar applications which use mixed electrical loads. The new H-bridge with redundant contact pairs extends the proven technical properties of our snap-action switch portfolio. Together with mechanical self-cleaning of the contact surfaces, the S910 WP switch is designed to significantly improve availability and safety in the application. In addition, the switch is ideally suited for switching small and large electrical loads.

The low weight of the drive and the high contact pressure ensure very reliable switching behaviour with low contact bounce, which benefits the service life of the switch, increases its' contact reliability, and consequently leads to fewer electrical contact errors in the application. All in all, the S910 WP contributes to a higher availability of the application through fewer faults and thus to a reduction in operating costs (TCO).

Ordering code

S910 WP 9C3a L

Series, Contact system

S910 WP Changeover, Form Zb SPDT-DB
2 galvanically isolated H-contact bridges,
positive opening operation and
self-cleaning double contacts

Special designs, optional

Magnetic blowout **L**

Actuator styles

Push button w/o mounting brackets **a**
Roller lever with mounting brackets **r**

Contact material

Silver **3**

IP rating

9 Contacts IP40 Terminals IP65

Terminals

C Leads outlet at bottom, length 500 mm

Note: This flyer shows the pre-series status.
Subject to technical changes.
The product will be available from Q4 2025.

Dimension diagrams, Circuit diagram

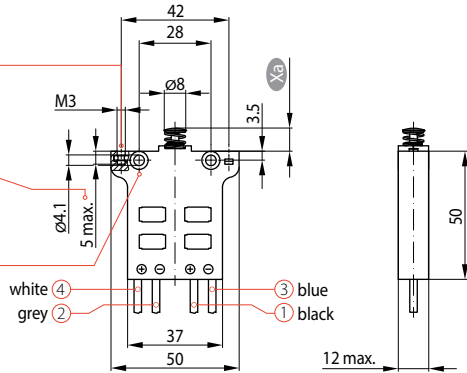
Push button

w/o mounting brackets

Front mount (M3),
tightening torque
0.9 Nm max.

Screwable thread
length of
fastening screw

Ganging (side mount),
tightening torque
1.0 Nm max.

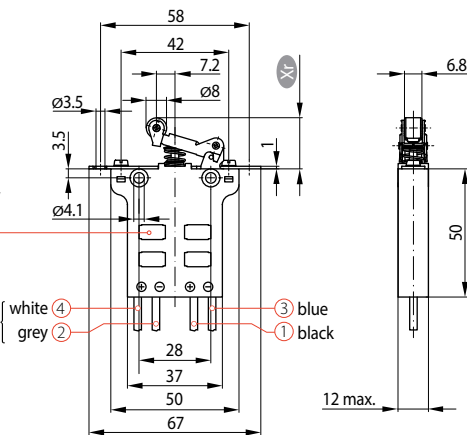


Roller lever

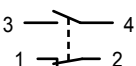
with mounting brackets

8 blowout magnets, optional,
for increased DC
breaking capability

Connection type
leads AWG18,
length 500 mm



Circuit diagram



Specifications (Preliminary)

Contact system	1x Form Z-SPDT-DB, 4 terminals, 2 galvanically isolated H-contact bridges, positive opening operation and wiping action	
Conv. thermal current I_{th}	20 A @ T = 85°C	
Rated insulation voltage U_i @ pollution degree 3	400 V	
Rated impulse withstand voltage U_{imp}	4 kV	
Contact material	Silver, AgSnO ₂	
Actuator position	Push button Xa	Roller lever Xr
Free position	9.00 ± 0.15	20.40 ± 0.35
Operating position	6.00 ± 0.35	15.60 ± 0.50
Release position	8.00 ± 0.35	18.80 ± 0.50
Total positive opening travel	5.3	13.1
Total travel position	5	12.9
Movement differential (between operating and release position)	2.00 (typical)	3.20 (typical)
Contact force	min. 0.8 N	min. 0.8 N
Actuation force	max. 14 N	max. 11 N
Release force	max. 6 N	max. 3 N
Mechanical endurance	1.5 million cycles max.	
Terminals	Leads, length 500 mm	
IP rating	Terminals IP40, contacts IP65	
Housing material	PEI, amber transparent	
Temperature range	-40°C ... +85°C	
Weight, w/o magnetic blowout/leads	Depending on version: 28 g	
Note	Data valid for new switches under laboratory conditions and at room temperature, unless otherwise mentioned	