



PAD 41

New passenger alarm handles
for wall mounting

PAD 41 - New Passenger alarm handles for wall mounting

Passenger alarm handles from Schaltbau ensure the safe activation of emergency braking on rail vehicles

Electric emergency brake switches from Schaltbau can be found in railway vehicles all over the world. The PAD 41 devices are new to the portfolio. Their significant design ensures that a passenger alarm handle cannot be overlooked even in stressful situations. All versions have switching elements with positive opening operation

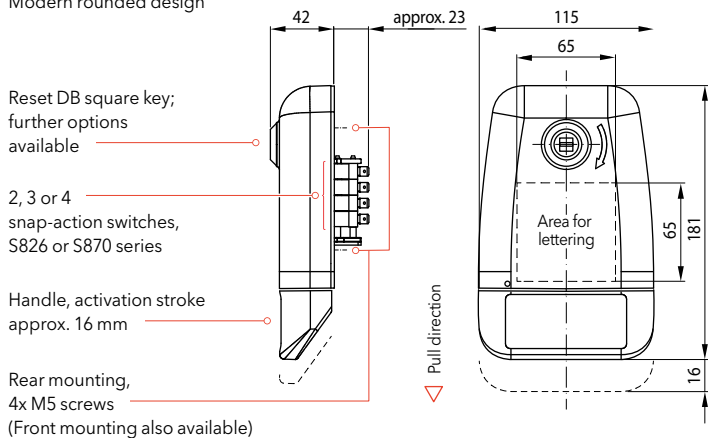
and guarantee years of trouble-free operation. Passenger alarm handles are also available in many customised special versions, e.g. with remote or one-hand reset, LED indicator lights and labelling. Please enquire about your specific configuration.

Features

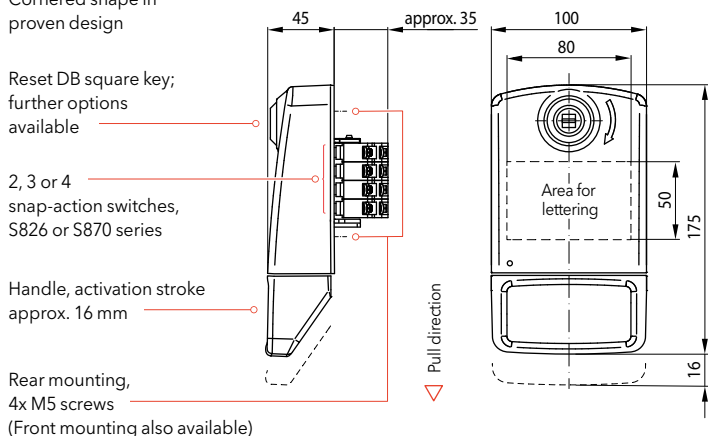
- Ergonomic design, excellent visibility; housing and handle are made of robust and durable die-cast aluminium; satin-finish and chemical-resistant surface; all devices can be sealed
- Standard version red in RAL3020 with/without customised labelling in many languages, also multi-lingual for cross-border traffic
- 2, 3 or 4 snap-action switches, series S826 or S870; All switching elements with positive opening operation and gold or silver contacts; terminals with M3 screws, flat plugs or stranded wires
- Special versions with remote or one-hand reset, LED indicator light and in combination with optional emergency hammer available

Dimension diagrams

Version PAD 41-R20
Modern rounded design



Version PAD 41
Cornered shape in proven design



Specifications (Preliminary)

Series	PAD 41-R20, PAD 41	
Mechanical data		
Design life	EN 16334-1 B10d / B10	> 30,000 / > 15,000
Actuation stroke		16 mm
Actuation direction		Downwards
Actuation force	EN 16334-1	65 ... 120 N, not lead sealed
Lead sealed		•
Reset element	DB square key	•
	Triangular wrench key, USA	•
	Triang. wrench key 6.5 CNOMO Type 1	•
	Spring reset	•
Remote reset, optional	motorised	•
Momentary switch		•
Switching elements		
Number / type	Snap-action switches	2x, 3x, 4x / S826, S870
Nominal voltage U_n		150 V
Conv. thermal current I_{th}	S826	10 A, Data for gold contacts on request
	S870	3A, Data for gold contacts on request
Contact material	Silver / gold	• / •
Terminals	S826	Screws M3
	S870	Flat tabs 6.3 x 0.8 mm; leads, 500 mm
Other data		
Material	Housing / handle	AL die cast / AL die cast
IP rating	Front side, not actuated / rear side	IP42 / IP00
Shock, vibration	EN 61373	Category 1, Class B
Mounting orientation		Wall mount, handle pointing downwards
Ambient conditions		
	Ambient temperature range T_a	-40°C ... +70°C
	Storage temperature range T_L	-40°C ... +70°C
Weight		approx. 0.75 kg, depending on configuration