

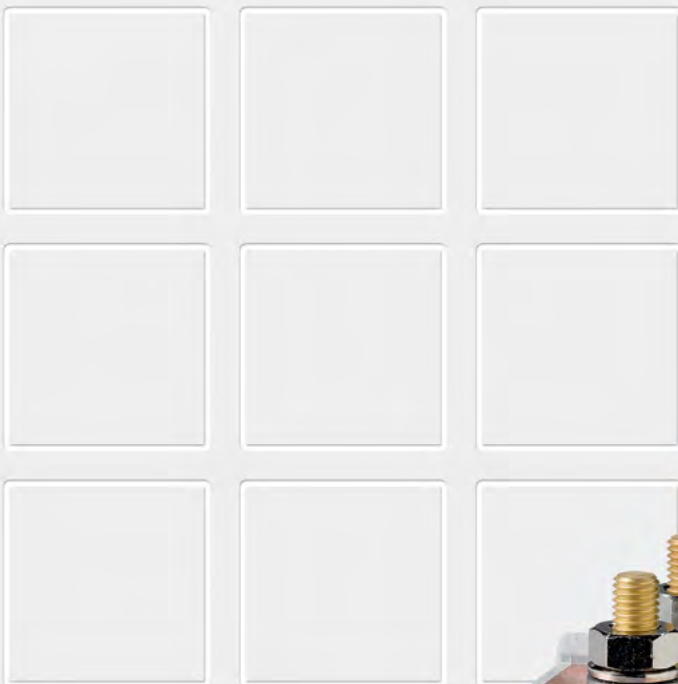
# 3

## Contactors

**C400, C600 Series**

Single-pole  
DC NO contactors for  
UPS applications

**Catalogue B460.en**



More information here:  
[schaltbau-gmbh.com](http://schaltbau-gmbh.com)

## C400, C600 DC contactors for UPS applications

High-quality single-pole DC contactors of high current carrying capacity for uninterruptible use in battery-powered emergency power supply systems (UPS) and as deep discharge protection for batteries.

### Features

- Single-pole NO contactor for 400 A DC and 600 A DC resp. used as main contactor in emergency installations (UPS) and as deep discharge protection for batteries.
- Compact design
- Easy to mount
- Cadmium-free
- Nominal coil power < 15 W
- Standard make with one auxiliary contact

### Ordering key

Example: **C400 L0/P1-48FV-E1**

<b>Series</b>	C400 C600	1 pole NO contactor, $I_{th} = 400$ A 1 pole NO contactor, $I_{th} = 600$ A
<b>Variant</b>	L0	Monostable
<b>Polarity</b>	P1	⊕ – pole on side of coil terminal
<b>Coil voltage</b>	24 / 48 / 60 V DC	
<b>Coil tolerance</b>	F	-12.5 % ... +25 %
<b>Coil suppression</b>	V	Varistor
<b>Aux. contact, # of</b>	E1 F1	1x S870 W1D1 a (silver, standard) 1x S870 W1D4 a 076 (gold)

### Preferred types

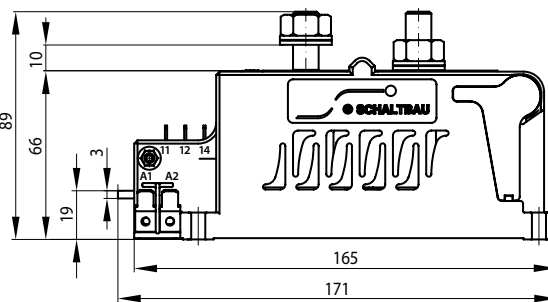
Series	Ordering code
C400	C400 L0/P1-24FV-F1, C400 L0/P1-48FV-E1, C400 L0/P1-48FV-F1, C400 L0/P1-60FV-E1
C600	C600 L0/P1-24FV-F1, C600 L0/P1-24FV-E1, C600 L0/P1-48FV-F1, C600 L0/P1-48FV-E1, C600 L0/P1-60FV-F1

**Note:**  
Presented in this catalogue are only stock items which can be supplied in short delivery time. For some variants minimum quantities apply. Please do not hesitate to ask for the conditions.

**Special variant:**  
If you need a special variant of the contactor, please do not hesitate to contact us. Maybe the type of contactor you are looking for is among our many special designs. If not, we can also supply customized designs. In this case, however, minimum order quantities apply.

Specifications	C400	C600
<b>Main contacts</b>	DC (bidirectional)	
Type of voltage	DC (bidirectional)	
Number of, Configuration	1 x NO	
Rated operating voltage $U_e$	96 V	
Rated insulation voltage $U_i$	150 V	
Overtoltage category	OV3	
Pollution degree	PD3	
Conventional thermal current $I_{th}$	400 A DC	600 A DC
Maximum breaking capacity	96 V / 400 A / resistive	96 V / 600 A / resistive
Maximum making capacity	96 V / 650 A / resistive (50 operating cycles, max.)	96 V / 1,000 A / resistive (50 operating cycles, max.)
Contact material	AgSnO <sub>2</sub>	
Terminals	Bolt M10	
Tightening torque	10 Nm max.	
<b>Auxiliary contacts</b>	1x snap-action switch S870*, SPDT	
Number of, configuration	AC-15: 1.5 A at 230 V AC; DC-13: 0.5 A at 60 V DC or 2.0 A at 24 V DC	
Utilization category (IEC 60947-5-1)	DC-13: 0.5 A at 60 V DC or 2.0 A at 24 V DC	
Terminals	Flat tabs 6,3 x 0,8 mm (DIN 46244)	
<b>Magnetic drive</b>	24 / 48 / 60 V DC other voltages on request	
Coil voltage $U_s$	24 / 48 / 60 V DC other voltages on request	
Coil tolerance	+25% / -12.5%	
Coil suppression	Varistor	
Overtoltage category	OV2	
Pollution degree	PD3	
Terminals	Flat tabs 6.3 x 0.8 mm (DIN 46244)	
Protection degree	IP10, terminals IP00	
<b>Endurance</b>	> 10,000 operating cycles	
mechanical	> 10,000 operating cycles	> 10,000 operating cycles
electrical	150 operating cycles at 60 V / 400 A / resistive	150 operating cycles at 60 V / 600 A / resistive
Mounting position	any, except: Do not mount upside-down	
Operating temperature $T_a$	-40°C ... +60°C	
Weight	1.1 kg	1.2 kg
* refer to catalogue D70		

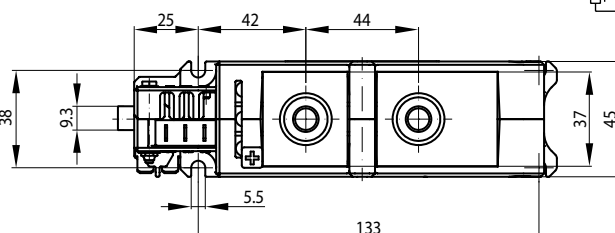
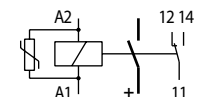
### Dimension diagram, circuit diagram



- Mounting instructions:**
- Screws: 4x M4, tightening torque 2 Nm
  - DIN rail 35 mm: For assembly/disassembly use slider at bottom of contactor!

- Mounting instructions:**  
Screws: 4x M5, tightening torque 3 Nm max.

### Circuit diagram:



Dimensions in mm